

Fiber receptacle type F-SMA 905 High Power Connector (5° polish)

Emission point 13,7

Thrust and tension screw (3x120°) for tilt adjustment with hex key wrench size 1.5mm 50HD-15

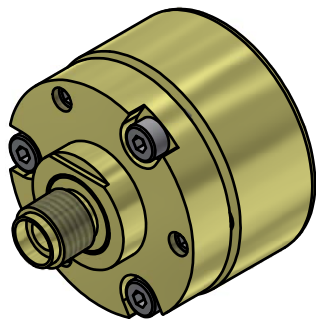
Thrust screw M3 max.torque 50Ncm

Tension screw M2 max.torque 40Ncm

Tools for assembly and adjustment

hex-key size 1.5mm 50HD-15

①



Dimensions DIN EN ISO 14405		Scale: 2:1		25AM-23-SMA	
		Date		Name	
		02.08.2022		Tp	
		editor			
		exam.			
		free			
				Customer Drawing	
				0108-2000-1700	
				Schäfter+Kirchhoff OPTICS, METROLOGY, AND PHOTONICS	
				File: 010820001700.idw	
				Model: 010820001700.iam	
				Size: A3	
				Page: 2	