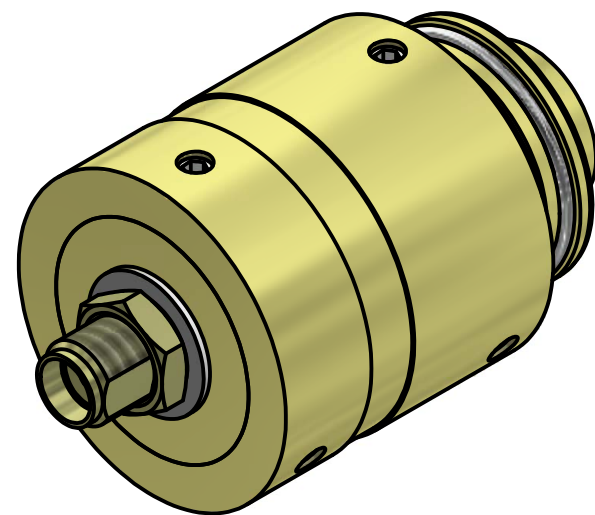


SMA-connector

aperture Ø3



Dimensions DIN EN ISO 14405	Scale: 2:1			
	48PD-xxx			
			Date	Name
			editor 21.01.2020	Trapp
			exam.	
			free	
Customer Drawing				
 OPTICS, METROLOGY, AND PHOTONICS				0111-2019-0100 Size: A3 Page: 1
File: 011120190100.idw			Model: 011120190100.iam	