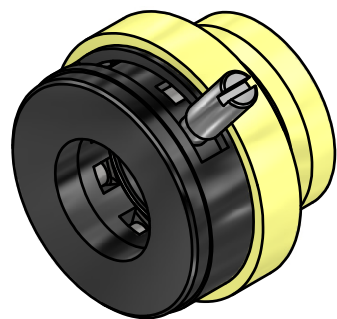
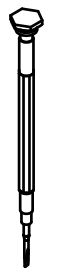


For system mount Ø8mm
 fixed with mounting screws DIN553-M1.6x1.5 (3x120°) (included)
 with screw driver size 1.2mm 9D-12



Tools for assembly
 and adjustment
 screw driver
 size 1.2mm
 9D-12



| | | | | | |
|-------|------------|--|---------|---|--------------------------|
| | | Allgemein- toleranz ISO 2768 - f | | Maßstab: 5:1 | |
| | | 5BL0.8-5 | | Lochblende 5BL0.8-5 | |
| | | Datum | Name | | |
| | | Bearb. 29.01.2016 | A.Trapp | | |
| | | Gepr. | | | |
| | | Norm | | | |
| | | | | Schäfter&Kirchhoff | |
| | | | | OPTO-SENSORIK UND MESSTECHNIK | |
| | | | | OPTIK-ENTWICKLUNG/ELEKTRONIK/SENSORTECHNIK/OPTIKFIBRE | |
| | | | | 9211-2027-7800 | |
| | | | | Blatt A3 | |
| | | | | Blatt 1 | |
| Zust. | Änderungen | Datum | Name | Datent: 921120277800.idw | Modell: 921120277800.iam |