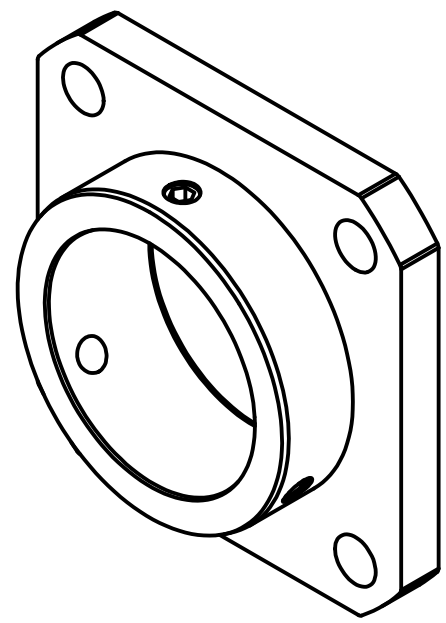
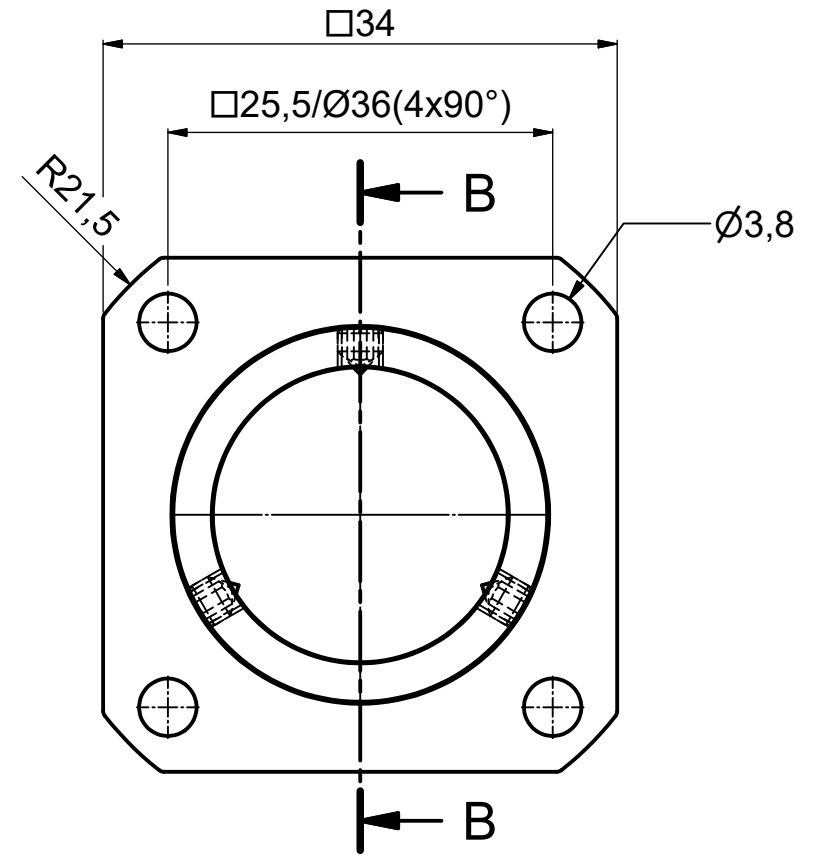
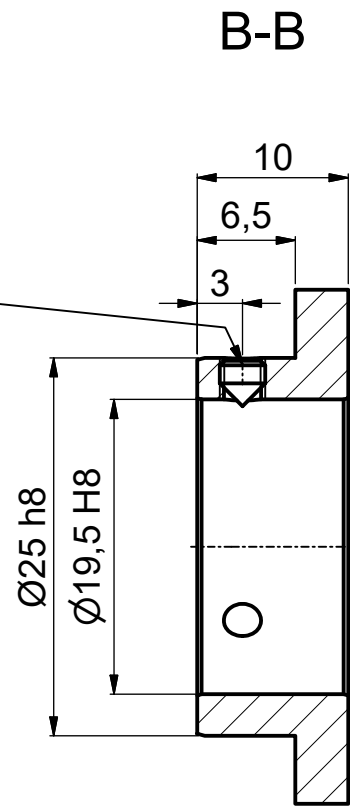


clamp screws
for accessory optics (3x120°)
using hex-key size 1.5mm



For information only
Not for manufacturing purposes

Dimensions DIN EN ISO 14405	Scale: 2:1			
	60A-19.5-F			
		Date	Name	
		editor	10.11.2016	Trapp
		exam.		
		free		
Adapter with flange				Size: A3
60A-19.5-F				
Customer Drawing				Page: 1
9307-3017-0300				
File: 930730170300.idw		Model: 930730170300.iam		

Schäfer+Kirchhoff
OPTICS, METROLOGY, AND PHOTONICS GmbH