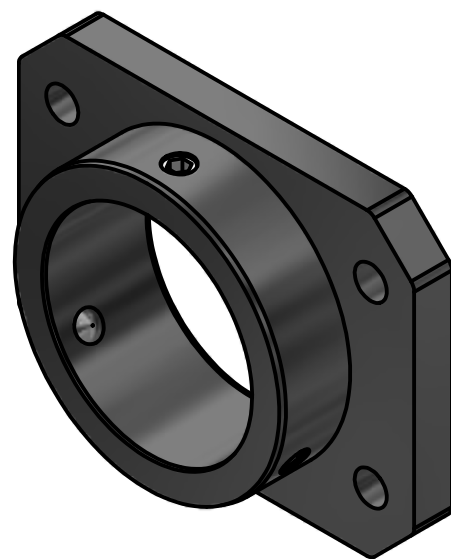
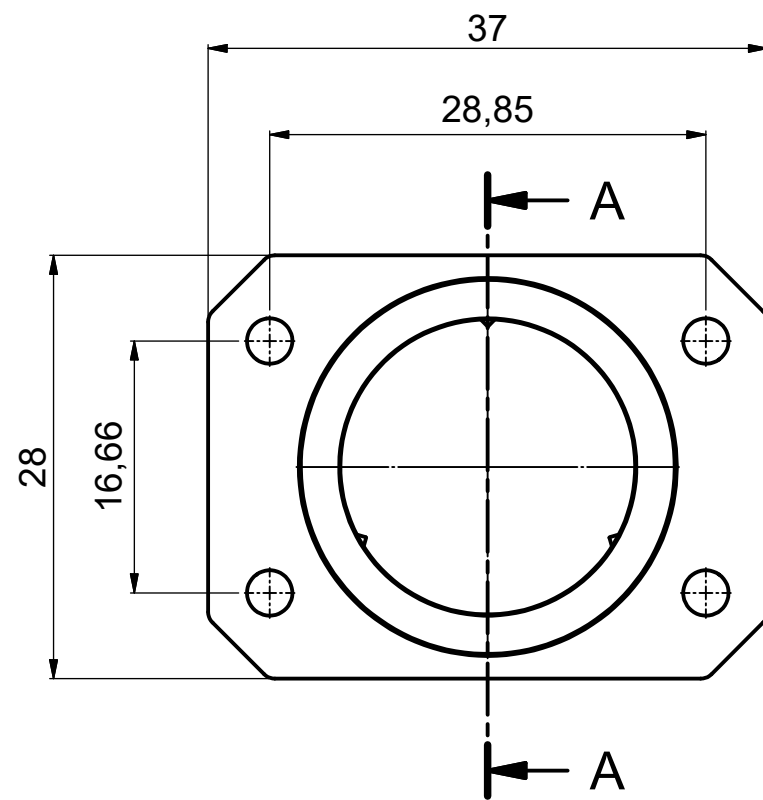
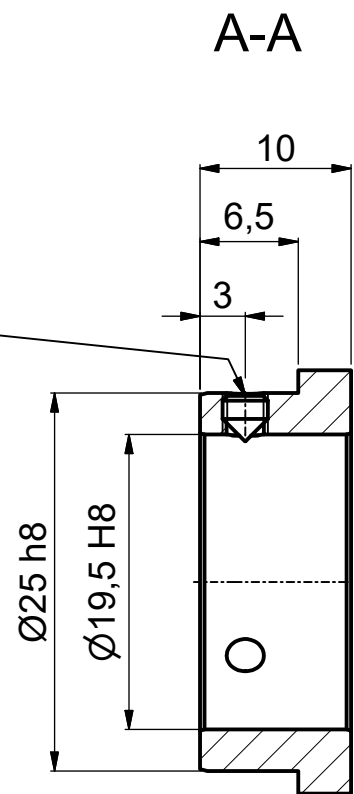


clamp screws
for accessory optics (3x120°)
using hex-key size 1.5mm



Dimensions DIN EN ISO 14405	Scale: 2:1		
	60A-19.5-F-FB		
	Date	Name	Adapter with flange
	editor 18.09.2019	trapp	
	exam.		
	free		Customer Drawing
	Schäfter+Kirchhoff OPTICS, METROLOGY, AND PHOTONICS GmbH		9307-3019-0600
	File: 930730190600.idw	Model: 930730190600.iam	Size: A3 Page: 1