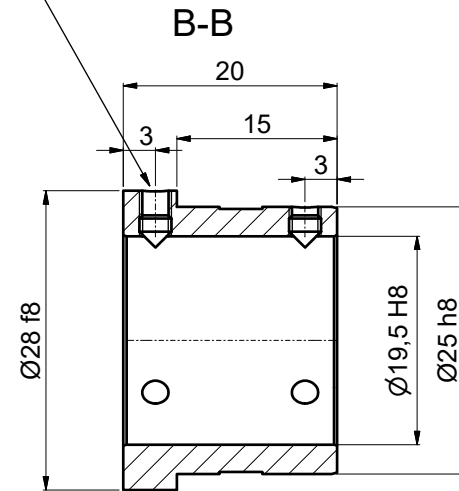
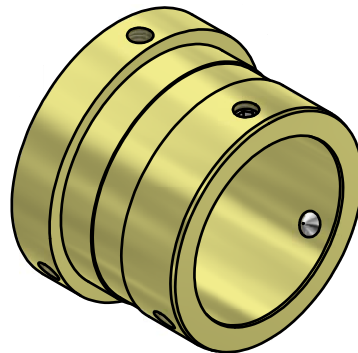


clamp screws (2x3x120°)
using hex-key size 1.5mm
50HD-15



Tools for assembly
and adjustment

hex-key
size 1.5mm
50HD-15



Dimensions DIN EN ISO 14405		Date		Name		Scale: 2:1	
		11.05.2016		A. Trapp		19.5AM25-L	
		editor				Adapter 19.5AM25-L	
		exam.				19.5AM25-L	
		free				Customer Drawing	
		Schäfter+Kirchhoff OPTICS, METROLOGY, AND PHOTONICS GmbH				9307-3200-0200	
		File: 930732000200.idw				Model: 930732000200.iam	
						Size: A3	
						Page: 2	