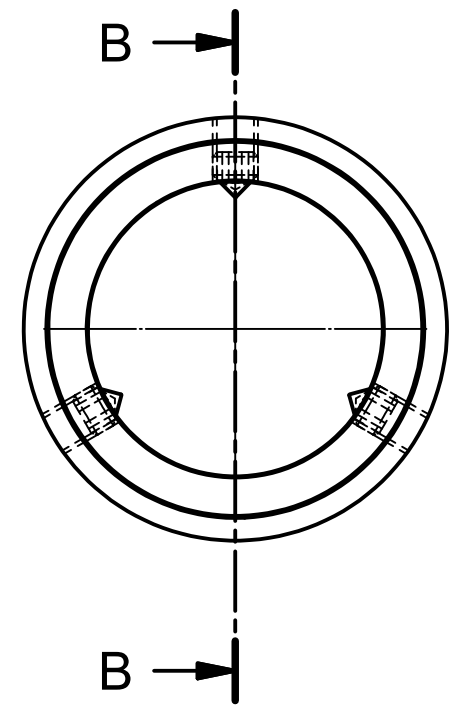
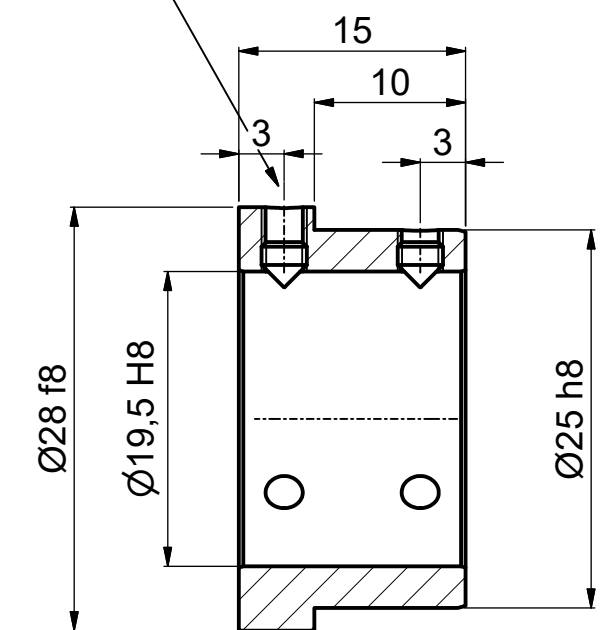


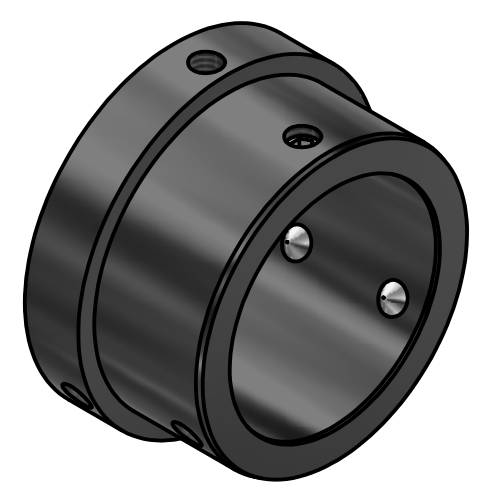
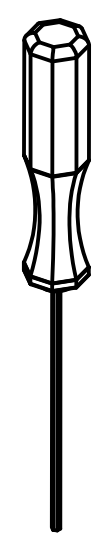
clamp screws (2x3x120°)
using hex-key size 1.5mm
50HD-15

B-B



Tools for assembly
and adjustment

hex-key
size 1.5mm
50HD-15



Dimensions DIN EN ISO 14405		Scale: 2:1		19.5AM25	
		Date		Name	
		11.05.2016		A.Trapp	
		editor			
		exam.			
		free			
				Customer Drawing	
Schäfter+Kirchhoff OPTICS, METROLOGY, AND PHOTONICS GmbH				9307-3200-0300	
File: 930732000300.idw				Model: 930732000300.iam	
				Size: A3	
				Page: 2	