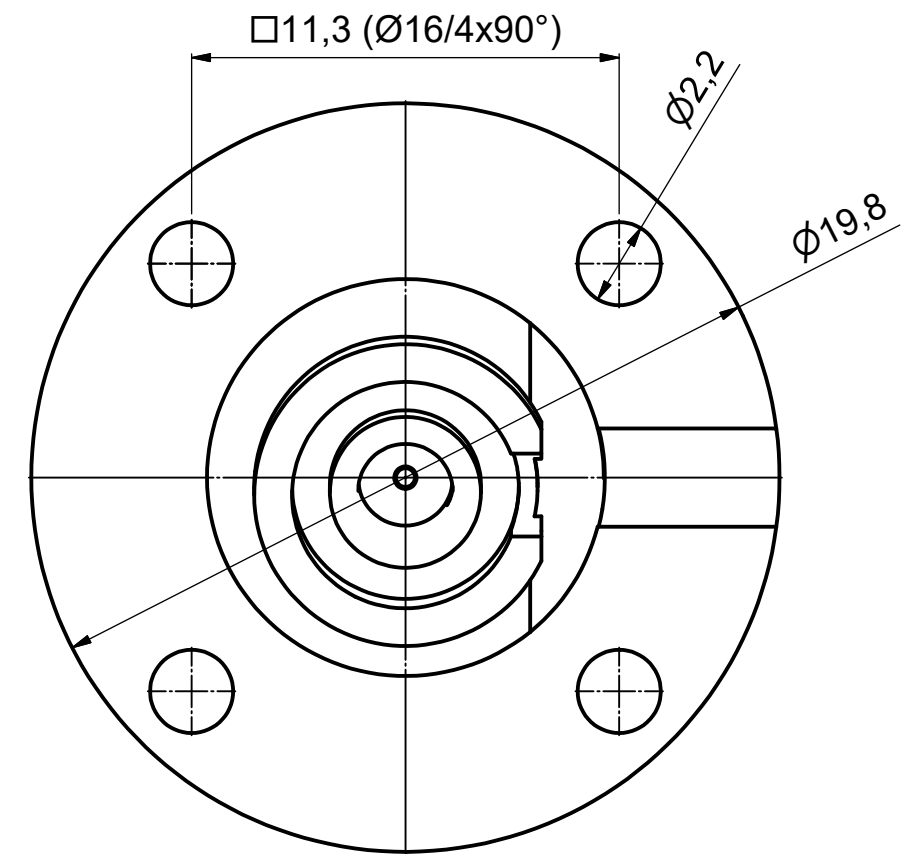
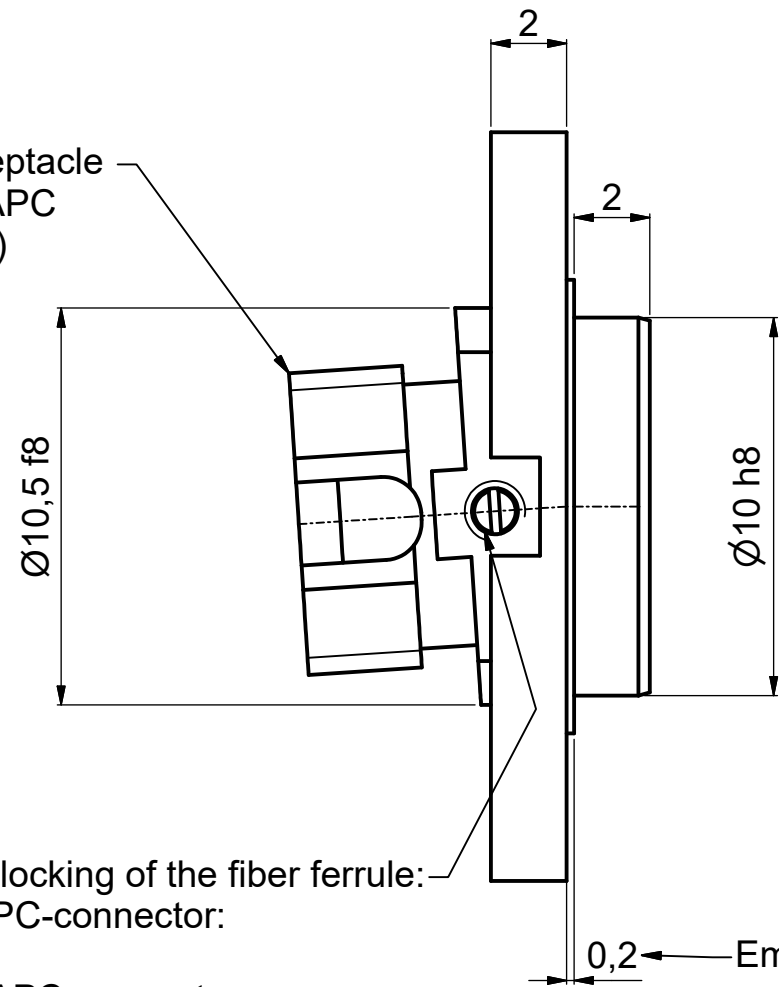


Fiber receptacle
type FC-APC
(wide key)

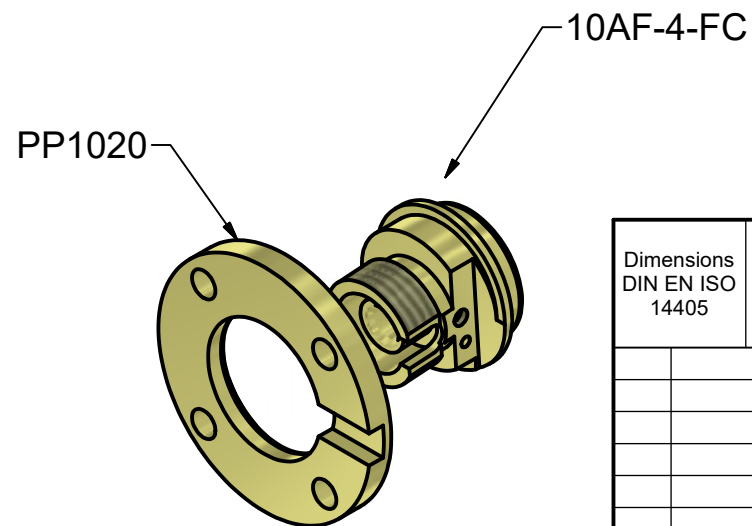
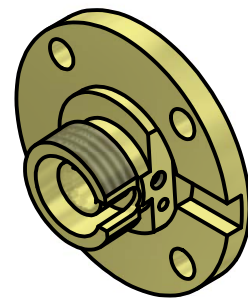


! Pin screw for additional locking of the fiber ferrule:
 - before pulling the FC-APC-connector:
 unlock the pin screw.
 -before inserting the FC-APC-connector:
 make sure the ferrule is not blocked
 by the pin screw !
 (using screw-driver size 1.2mm 9D-12 ①)

Tools for assembly and adjustment

screw driver
size 1.2mm
9D-12

①



For information only
Not for manufacturing purposes

Dimensions DIN EN ISO 14405					Scale: 5:1	
					10AF-4-FC + PP1020	
			Date	Name	10AF-4-FC + PP1020	
			editor	08.04.2020	Trapp	FC Adapter w/o Optics, flange mount
			exam.			
			free			
						Customer Drawing
						9709-2052-0602
						Size: A3
						Page: 1
			File: 970920520602.idw		Model: 970920520602.iam	