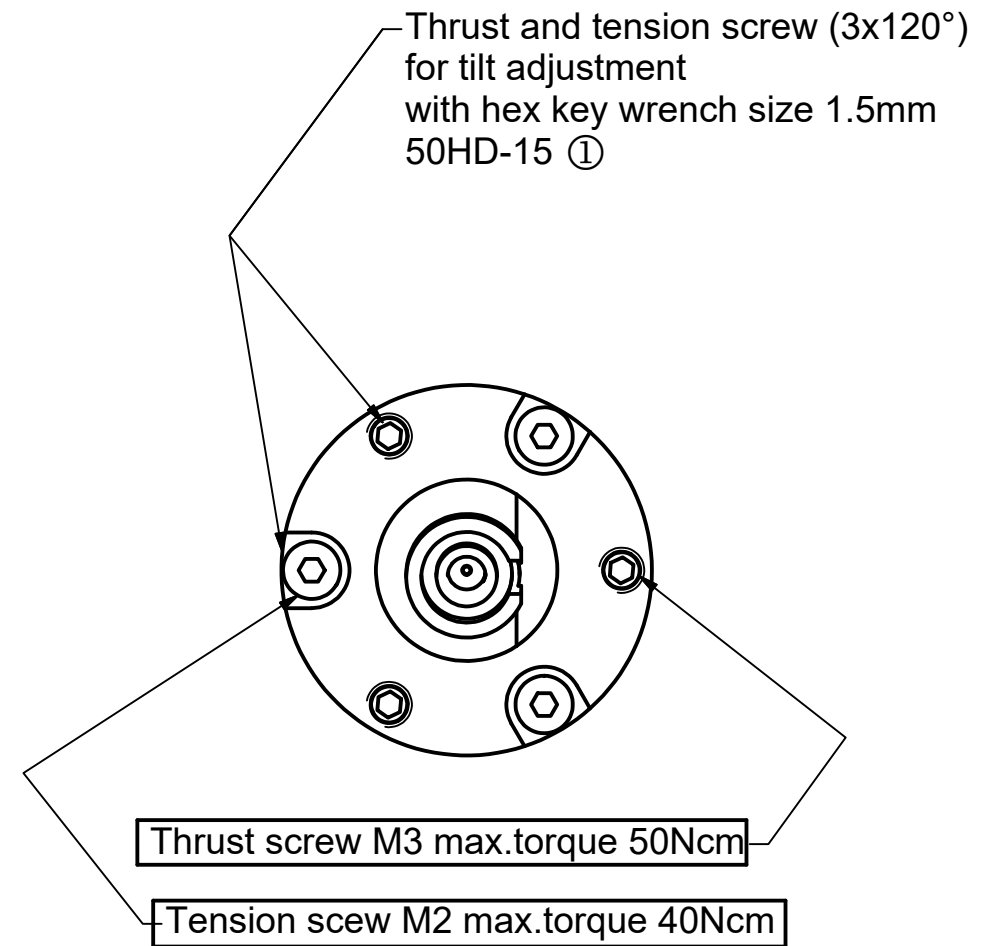
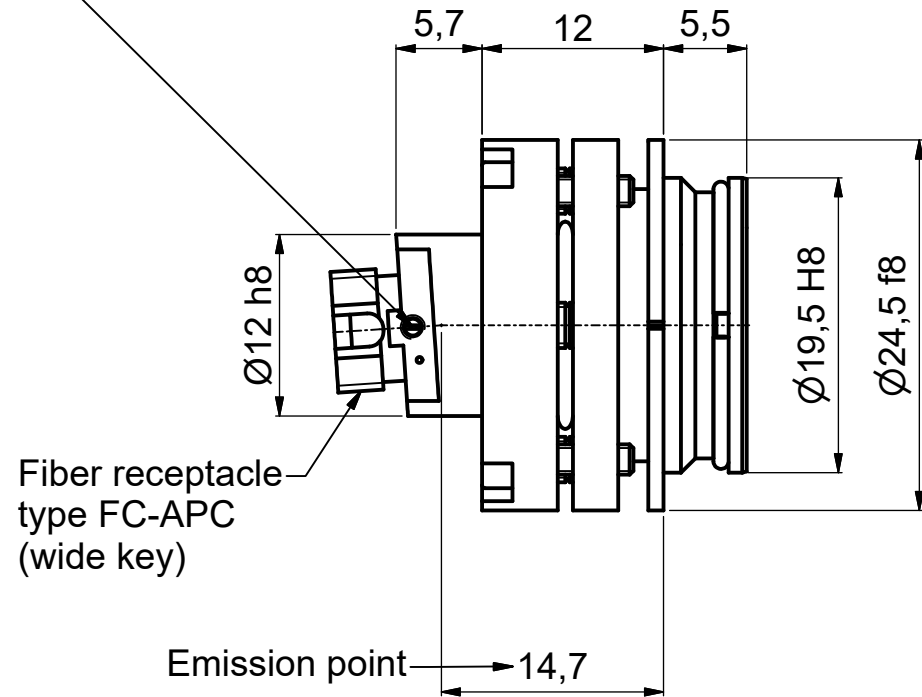
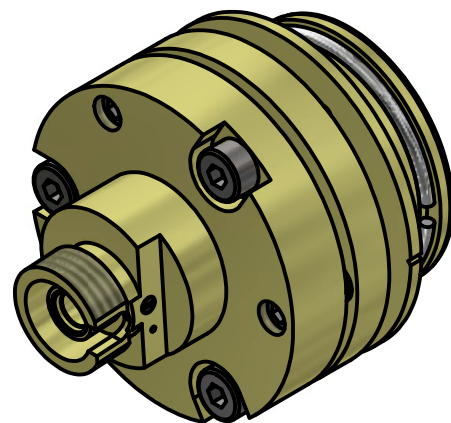


②! Pin screw for additional locking of the fiber ferrule:  
 - before pulling the FC-connector:  
 unlock the pin screw.  
 - before inserting the FC-connector:  
 make sure the ferrule receptacle is not blocked  
 by the pin screw !



Tools for assembly and adjustment

hex-key size 1.5mm 50HD-15	screw driver size 1.2mm 9D-12
①	②



For information only  
 Not for manufacturing purposes

Dimensions DIN EN ISO 14405					Scale: 2:1		
					19.5AC-4-FC		
			Date	Name	19.5AC-4-FC		
			editor	08.04.2020	Trapp	FC Adapter w/o Optics, System Mount Ø 19.5 mm	
			exam.			Customer Drawing	
			free				
			Schäfter+Kirchhoff OPTICS, METROLOGY, AND PHOTONICS GmbH			9709-2052-0603	Size: A3
			File: 970920520603.idw			Model: 970920520603.iam	Page: 1