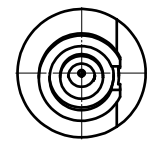
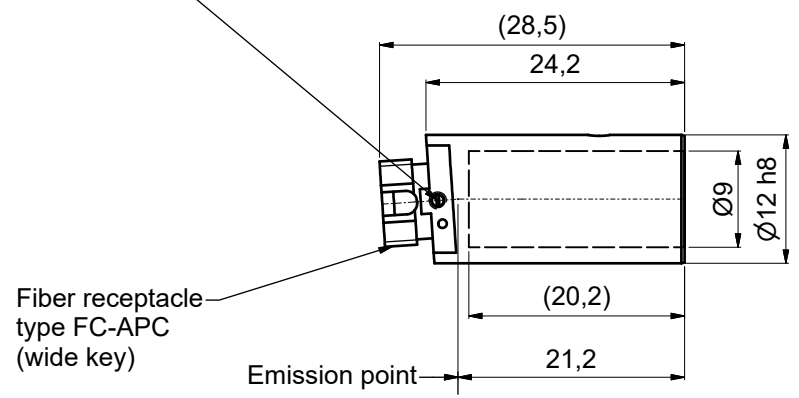


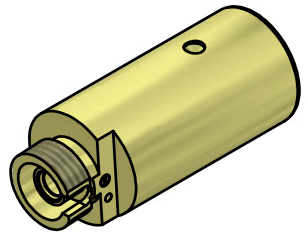
! Pin screw for additional locking of the fiber ferrule:  
 - before pulling the FC-APC-connector:  
 unlock the pin screw.  
 -before inserting the FC-APC-connector:  
 make sure the ferrule is not blocked  
 by the pin screw !  
 ( using screw-driver size 1.2mm 9D-12 ① )



Tools for assembly and adjustment

screw driver  
size 1.2mm  
9D-12

①



For information only  
 Not for manufacturing purposes

Dimensions DIN EN ISO 14405		Scale: 2:1			
		12AF-4-FC			
		Date	Name	FC- APC-Adapter / AM12	
		editor	29.10.2021	A. Trapp	12AF-4-FC
		exam.			Customer Drawing
		free			
		Schäfter+Kirchhoff OPTICS, METROLOGY, AND PHOTONICS			9709-2052-0622
		File: 970920520622.idw			Model: 970920520622.iam
					Size: A3
					Page: 1