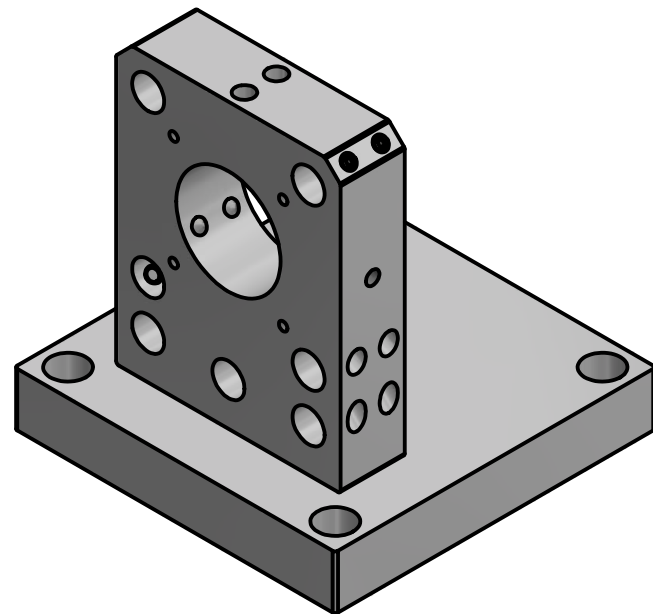
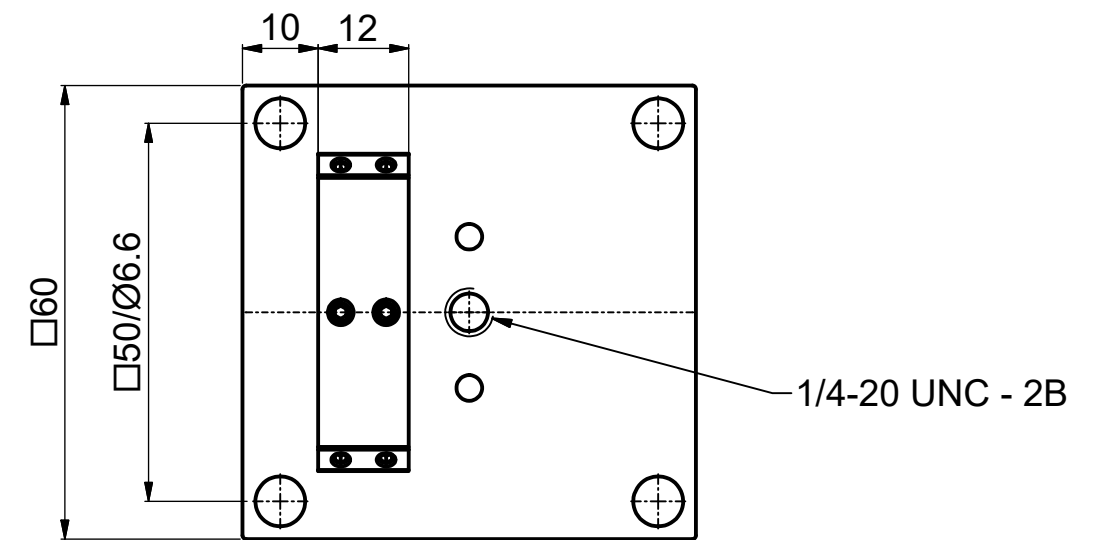
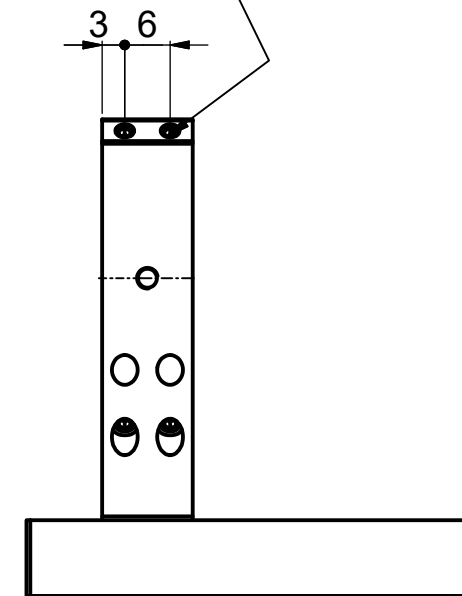


clamp screws (8x) for rod  $\varnothing 6$



Dimensions DIN EN ISO 14405	Scale: 1:1		
	48MB-19.5-60		
Date			Name
editor			18.09.2019 trapp
exam.			
free			
Customer Drawing			
Schäfter+Kirchhoff OPTICS, METROLOGY, AND PHOTONICS GmbH			9809-1038-0400
File: 980910380400.idw			Model: 980910380400.iam
			Size: A3 Page: 1